

Hiru | The first multi-platform eye tracker in the world



User Manual | Quick Start Guide: Windows

## User Manual IRISBOND Hiru Eye Tracking System

IRISBOND CROWDBONDING, S.L. All rights reserved.

This document, including all supporting materials, is proprietary to IRISBOND CROWDBONDING, S.L.

As this document may contain information that is confidential, proprietary, or otherwise legally protected, it must not be further copied, distributed, or displayed without the express written permission of IRISBOND CROWDBONDING, S.L.

Products that are referred to in this document may be either trademarks and/or registered trademarks of the respective owners. The publisher and the author make no claim to these trademarks.

### **Contact Information**

IRISBOND CROWDBONDING, S.L  
Tolosa Avenue 75, 2nd floor  
20018 Donostia-San Sebastián, Gipuzkoa, Spain  
+34 943 496 622

## What are you looking for?

### IRISBOND Huru Eye tracker

<a href="#">Huru First Steps Overview</a>	1
<a href="#">Compatibility</a>	2
<a href="#">Multiplatform</a>	2
<a href="#">Positioning</a>	2
<a href="#">USB Connection and mounting</a>	3
<a href="#">Assembly Options</a>	4
<a href="#">How to mount Oskol</a>	7
<a href="#">Use with different Operating Systems: Overview</a>	8
<a href="#">How to update Huru in Windows</a>	9

### Compliance Information: CE and MDR

### Declaration of conformity (MDR)

### Technical Specifications

## Hiru First Steps Overview



### **Install Systray**

This program includes the Drivers and updates needed for Hiru.



### **Download and install eye gaze communication software**

(examples: Easyclick, Grid 3).



### **Connect Hiru**

Use the provided cables.



### **Calibrate in your Eye Gaze Software!**

Calibrating lets the Hiru adapt to your eyes so you have the best experience.

## Compatibility

Minimum requirements	Intel Graphics
<ul style="list-style-type: none"> <li>● CPU 1.33GHz</li> <li>● RAM 2GB</li> <li>● Hard Disk 3GB + HDD</li> <li>● USB 3.0</li> </ul>	Nvidia and others with OpenGL 2.0



*If you want to use the eye tracker with larger screens, you can do so by changing the position of the camera and placing it further away from the screen.*

## Multiplatform

Hiru eye tracker can be used both with Windows and iOS (iPad). The same eye tracker works with both operating systems.

[We recommend iPad Pro / Surface Windows 10](#)

iPadOS	Windows
iPads with a USB-C port. 15.2 and later	Windows 7-11

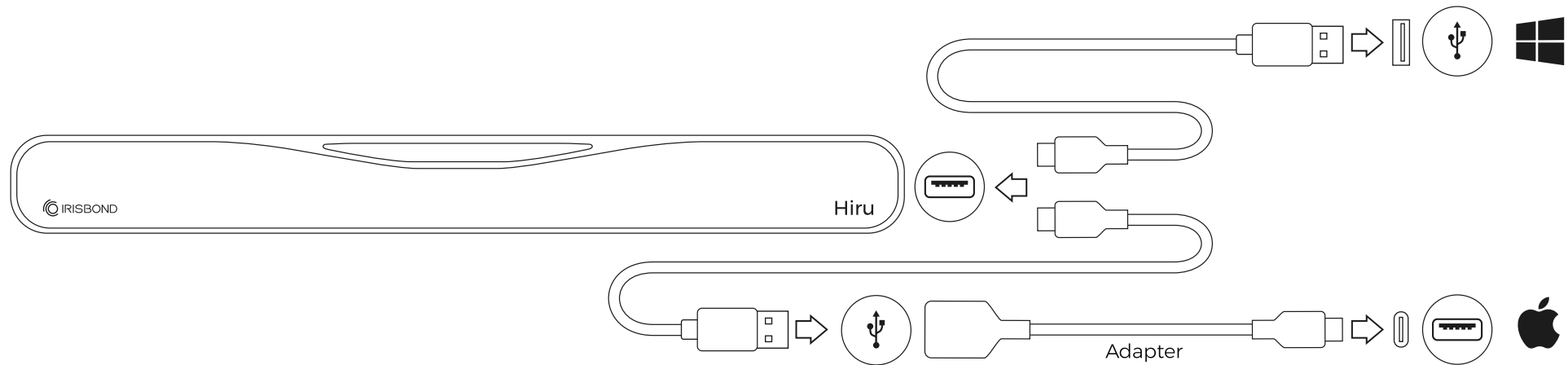
## Positioning

Optimum working distance	Optimum screen size
55 cm.	10" - 20" inches

## USB Connection and mounting

Depending on the device that you may be using, an adaptor might be needed:

- For **Windows** devices, just use the long C-A cable. The C male connects to the Hiru and the A male connects to the device.
- For **iPad PRO**, the A-C adaptor is needed. Connect the adaptor to the iPad Pro, and the long cable to the Hiru.

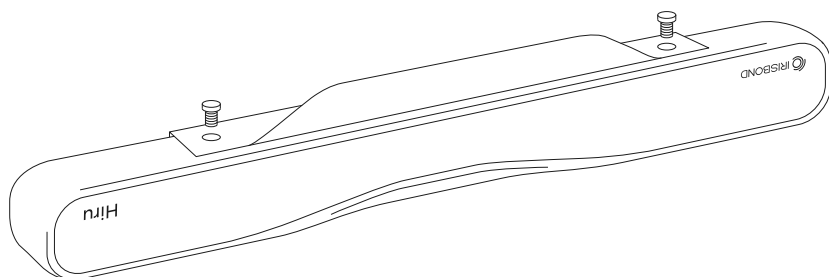


## Assembly Options

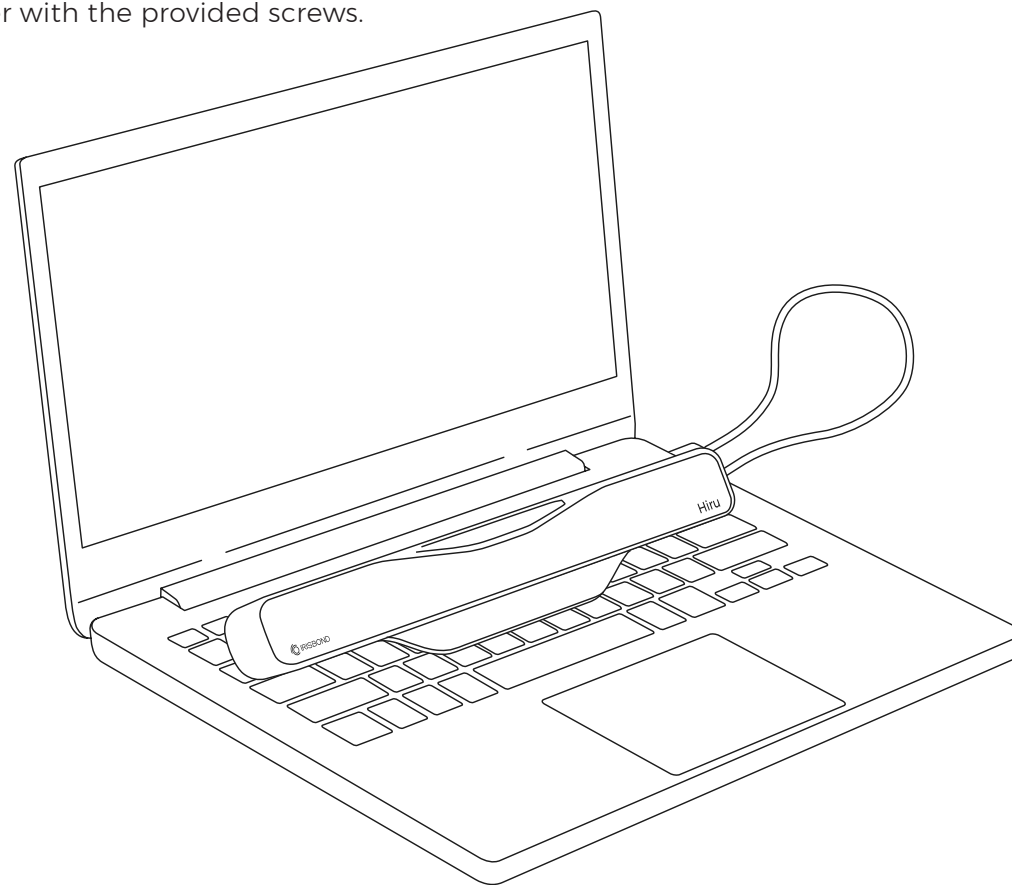
The IRISBOND Hiru system is designed to be fully adaptable for use with laptops, Desktop PCs, and tablets:

### Laptop

Under the laptop or PC, fix the Hiru onto the holder with the provided screws.



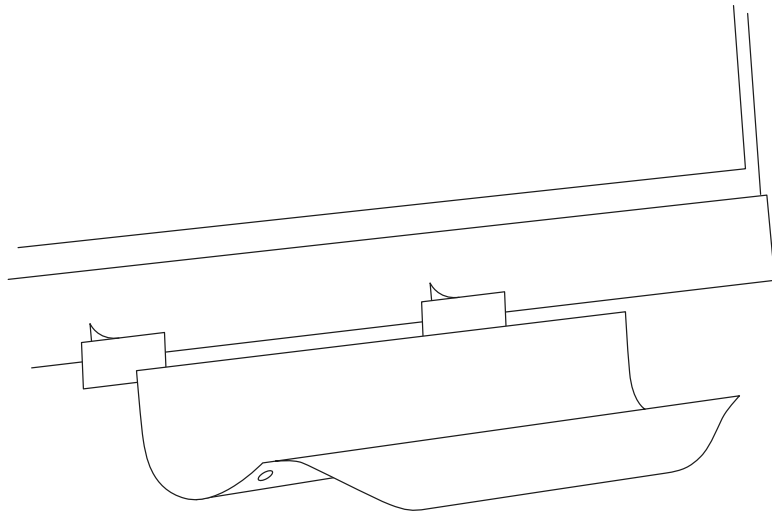
Click [here](#) to watch *Set Up* video for IRISBOND Hiru.



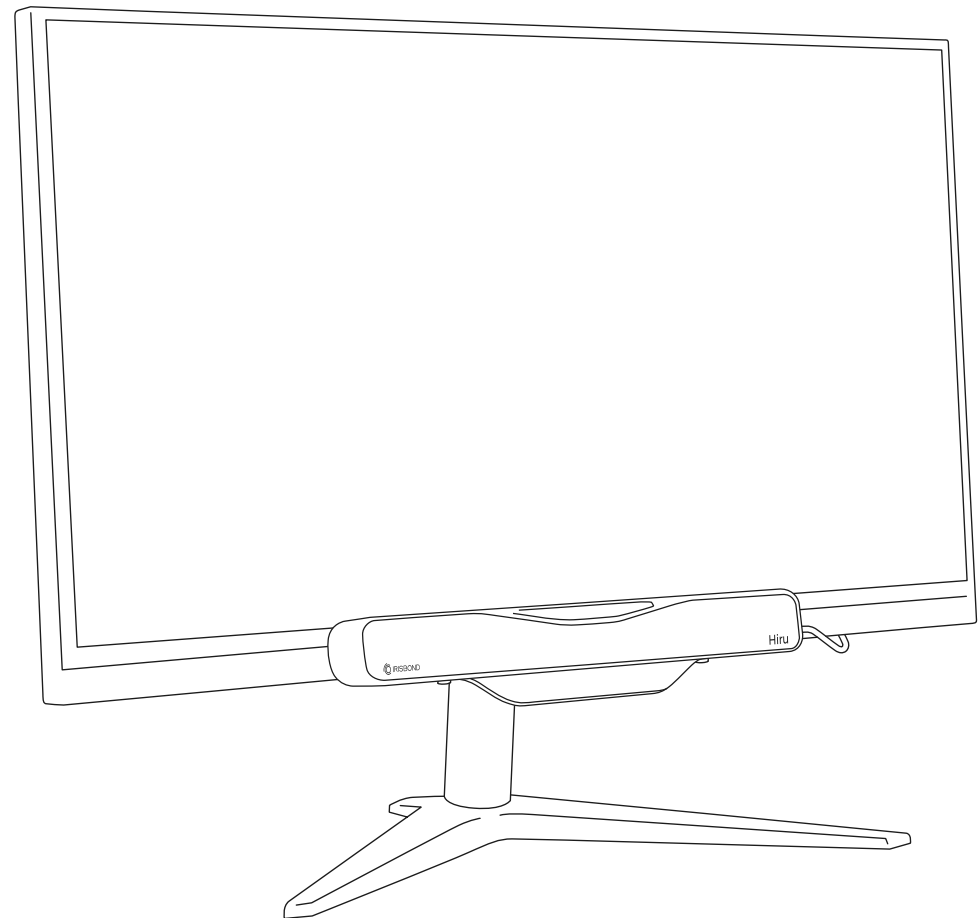
## Assembly Options

### Desktop Computer / Monitor

Place the holder on a screen with the provided magnets and screw the Hiru to the holder.



Click [here](#) to watch *Set Up video for IRISBOND Hiru*.

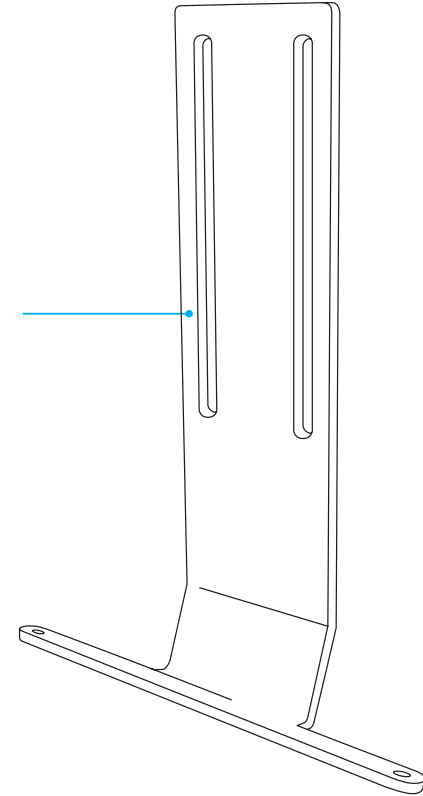
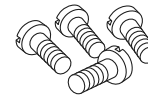




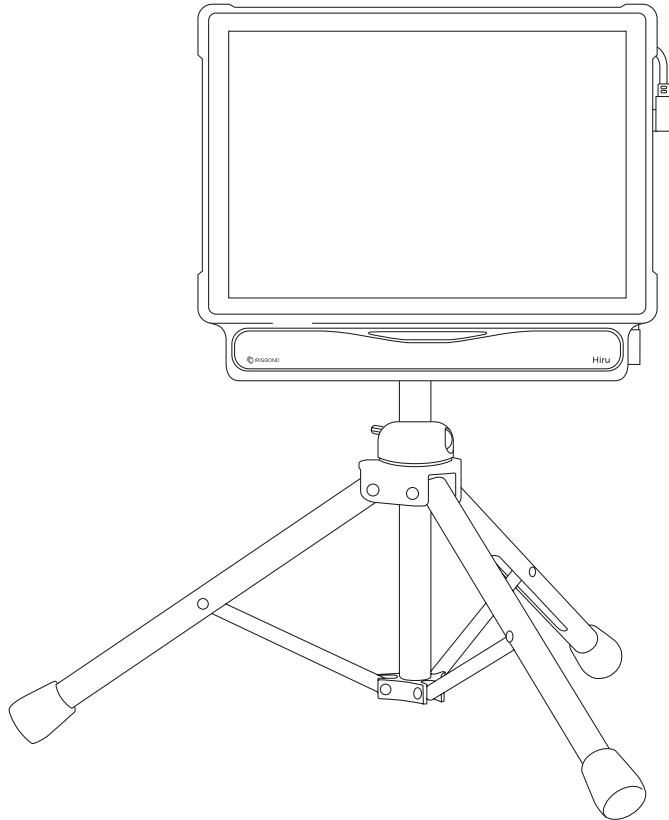
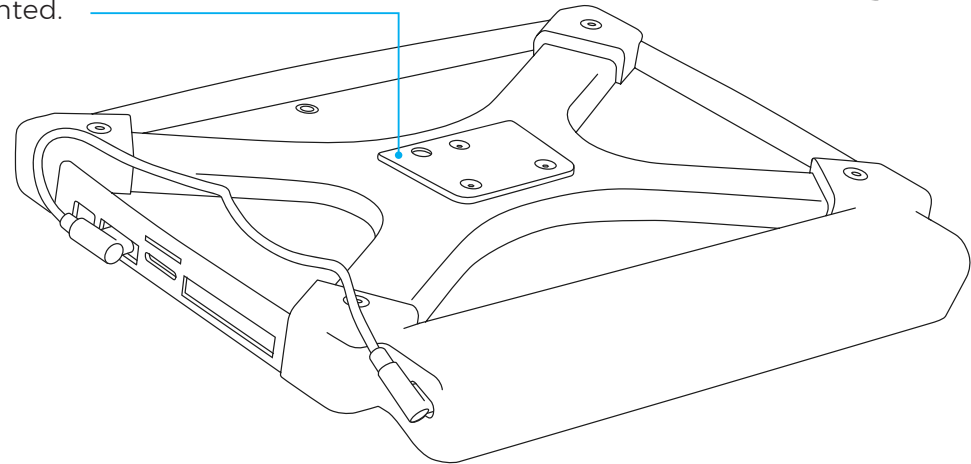
## Assembly Options

### Tablets

1. Attached to a tablet:  
Rehadapt's GA IRISBOND Hiru bracket (#16.1239).



2. Every Oskol casing comes by default  
with the Rehadapt's GA Universal adapter  
(#16.1224) mounted.

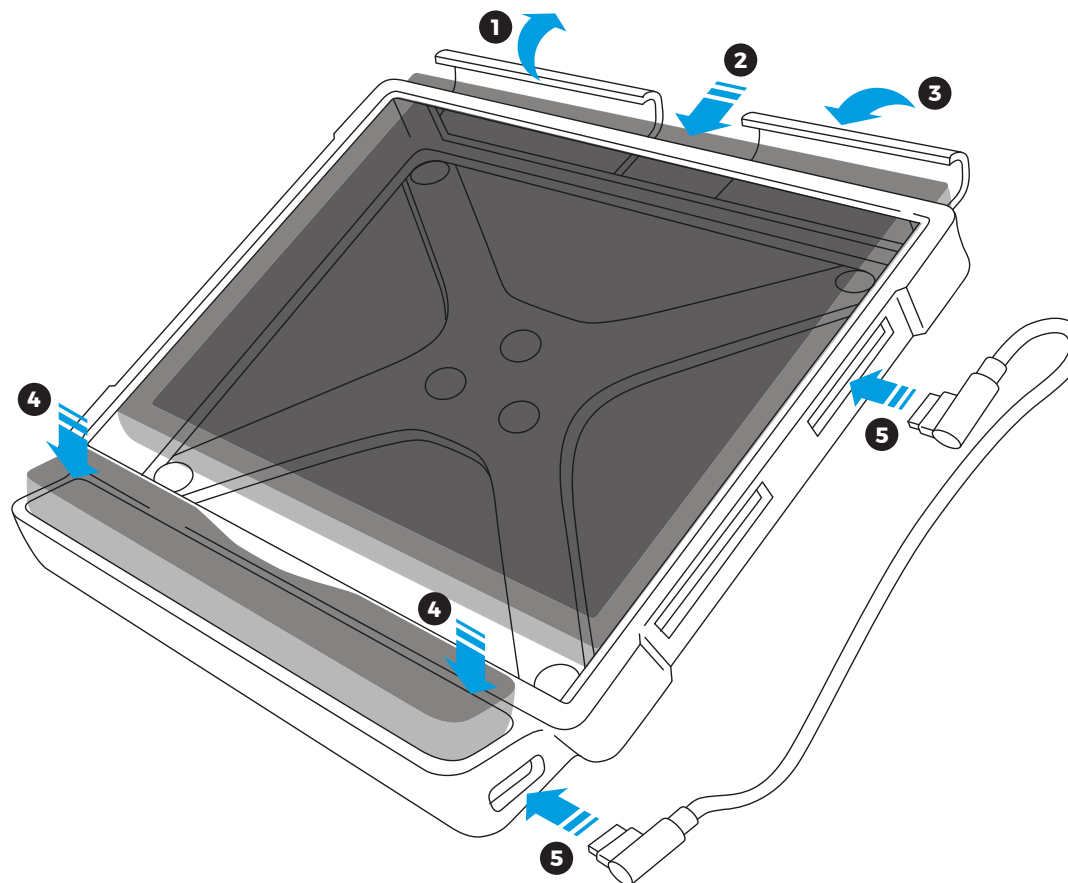


Click [here](#) to watch *Set Up video for IRISBOND Hiru*.

## How to mount Oskol

Oskol has a space dedicated for a tablet and another for Hiru. To mount the tablet or iPad in the Oskol follow these steps:

- 1** Separate the flexible tabs and the front casing on the top of the Oskol.
- 2** Insert the device straight down into the slot, with the tabs behind the device.
- 3** Once the tablet is in place, fold the tabs over the top of the device.
- 4** Place the Hiru in the bottom slot.
- 5** Connect the Hiru to the iPad or tablet using the USB cables, and in the case of iPad, the adapter or hub provided. If you're using one, place the Hub between the back of the iPad and the section on the back of Oskol.

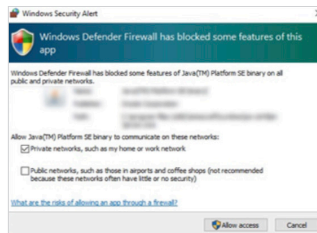


Click [here](#) to watch *How to insert and remove a tablet and Hiru from Oskol.*

## ! Keep in mind

When using third party apps, the following Windows message may appear:

If this is the case, please allow both **private** and **public networks**.



- Do this when installing Systray by clicking both check boxes.
- To change these settings after installing, enter "Windows Defender Firewall" and select "allow an app or feature through Windows Defender Firewall", and enable the checkboxes accordingly.

## Use with different Operating Systems: Overview

Hiru eye tracker can be used with both: Windows and iOS (iPad Pro). The same eye tracker works with both operating systems.



### Windows Overview

**EasyClick:** Our computer access software. EasyClick is now compatible with Duo and Hiru in the same app. Download this new version of EasyClick [here](#) and a course of how to use it [here](#).

**Grid 3:** From version 61 on, Grid 3 is integrated with Hiru. Select "Irisbond" from the available eye gaze cameras.

**Mind Express 5:** Hiru is integrated with MindExpress 5. Select "Irisbond" from the available eye gaze cameras.

**Microsoft HID:** It is possible to use Windows Eye Control with Hiru using HiruSystray app. For more information, please read the following [document](#).

## How to update Hiru in Windows

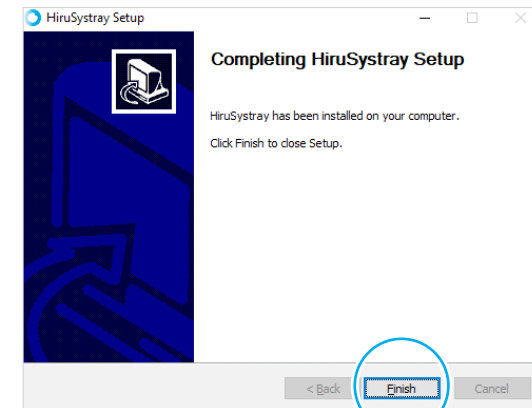
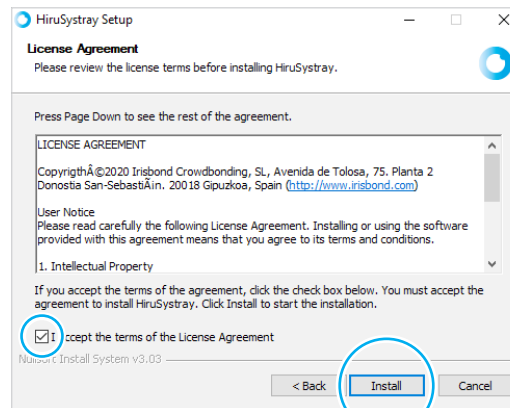
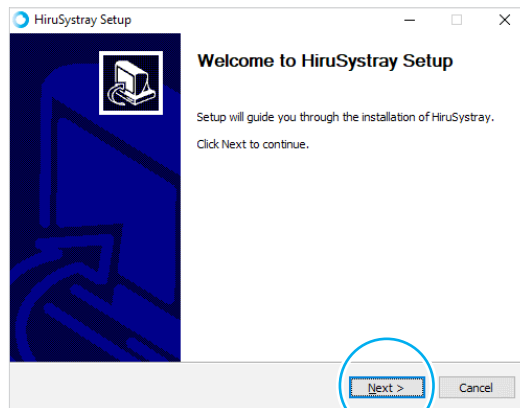
Hiru has continuous updates and new versions of firmware are released regularly. Update Hiru in Windows using our Systray app.

Download the latest version of Systray app (below).

### Updating Hiru: Step by step

Install Systray from this link: <https://downloads.irisbond.com/systray>

Video tutorial [Update your Hiru in Windows](#).



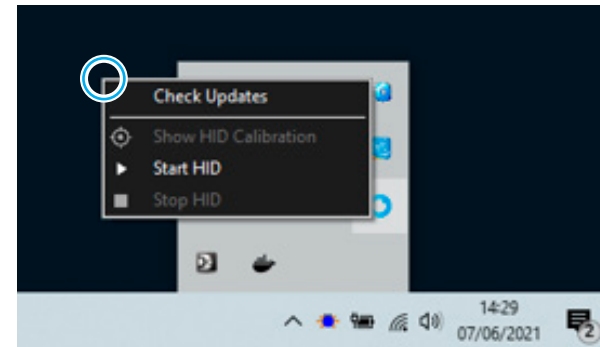
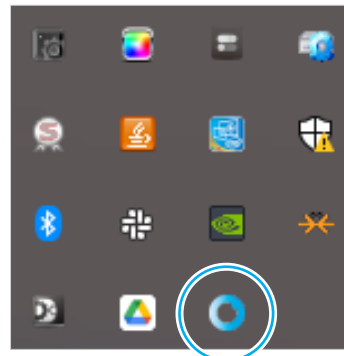
## How to update Hiru in Windows

The Systray icon will open in the Windows Toolbar (see image below).

If the Hiru is connected to the PC, the Systray will periodically check if there is a firmware update available. It is also possible to check for the updates by clicking in *Check Updates*.

### Keep in mind

- IRISBOND's Systray App should always be installed.
- If an update is available, a notification will show up, please, DO NOT disconnect the Hiru during this process.
- If no notification is shown, please check that your device that the Focus Assistant is OFF and Notifications for Systray are ON.



Ensure the focus assistant is turned off, and notifications for Systray are turned on in Windows Settings in *Notifications and Actions* and be sure your WiFi is connected.

## How to update Hiru in Windows

These are the notifications that you will receive once the process is started:

**Hiru update**  
New update available. [Click here to update](#)

**Hiru update**  
Download completed. Updating Device...

*Updating...*

**Hiru update**  
Update completed. Hiru device will restart.  
Please, do not unplug the device.

*Updated, do not remove the Hiru.*

**Hiru update**  
You already have the last Hiru update

*Now, the Hiru is ready to be used!*

Click [here](#) to check our Youtube channel and find out more about Hiru!

# CE & MDR | Technical Specifications

## Compliance Information: CE and MDR

The device model has been designed and manufactured in conformity with the Directive.

San Sebastián, a 30th of April 2021



*Eduardo Jauregui / Technical Director*

## CE DECLARATION OF CONFORMITY

MANUFACTURER	IRISBOND CROWDBONDING, SL VAT: ES-B75091058 ADDRESS: AVENIDA DE TOLOSA, 75 - 2º San Sebastián CP: 20018 Guipúzcoa, País Vasco
APPLICABLE DIRECTIVE	COUNCIL DIRECTIVE 93/42/EEC of 14 June 1993 concerning medical devices
HARMONIZED STANDARDS	EN 55032 (2015) / AC (2016) / A11 (2020) EN 55035 (2017): UNE-EN 62471-1:2009 FCC CFR 47, Part 15, Subpart B (10-1-15 Edition) ICES-003 Issue 6 (2016)
PRODUCT	Sistema de control del ordenador con la mirada HIRU/ Eye tracking system HIRU
REFERENCE	IRISBOND HIRU
TEST CERTIFICATES	65321IEM.001 65321REM.001 65321REM.002 2251989-PHO-21-018A



## Declaration of conformity (MDR)

We, Irisbond Crowdbonding Ltd, declare that the product listed below has been designed and manufactured in conformity with the Directive (UE) 2017/745:

MANUFACTURER	IRISBOND CROWDBONDING, SL ES-B75091058 AVENIDA DE TOLOSA, 75 - 2º San Sebastián, 20018 Guipúzcoa, Spain +34 9434 96 622 <a href="http://www.irisbond.com">http://www.irisbond.com</a>
REFERENCE	IRISBOND HIRU
PRODUCT	Eye tracking system HIRU

The aim of this declaration is a Class I Medical Device and is in conformity with the following harmonised legislation:

APPLICABLE DIRECTIVE	<ul style="list-style-type: none"> <li>• Directive (UE) 2017/745 concerning medical devices, MDR.</li> <li>• EMC Directive, 2004/108/EC.</li> <li>• RoHS Directive, 2011/65/EU.</li> <li>• FCC Rules and Regulations.</li> </ul>
----------------------	--

The following harmonized standards and technical specifications have been applied:

HARMONIZED LEGISLATION	EN 55032 (2015) / AC (2016) / A11 (2020) EN 55035 (2017) UNE-EN 62471-1:2009 FCC CFR 47, Part 15, Subpart B (10-1-15 Edition) ICES-003 Issue 6 (2016)
TEST CERTIFICATES	65321IEM.001 65321REM.001 65321REM.002 2251989-PHO-21-018A

This declaration is signed on behalf of Irisbond Crowdbonding, Ltd in San Sebastián, on the 30th of April, 2021, by Eduardo Jauregui, CEO.




## Declaration of conformity (MDR)

We, Irisbond Crowdbonding Ltd, declare that the product listed below has been designed and manufactured in conformity with the Directive (UE) 2017/745:

MANUFACTURER	IRISBOND CROWDBONDING, SL ES-B75091058 AVENIDA DE TOLOSA, 75 - 2º San Sebastián, 20018 Guipúzcoa, Spain +34 9434 96 622 <a href="http://www.irisbond.com">http://www.irisbond.com</a>
REFERENCE	OSKOL WINDOWS
PRODUCT	This product is composed by the following elements: <ul style="list-style-type: none"> <li>• Medical device; Eye tracking system HIRU.</li> <li>• Case to bundle the Irisbond HIRU eye tracker and the Surface Pro tablet (TPU material has PASSED skin sensitization and cytotoxicity tests in accordance with ISO 10993-5 and 10993-10).</li> </ul>

The aim of this declaration is a Class I Medical Device and is in conformity with the following directives:

APPLICABLE DIRECTIVE	REGULATION (EU) 2017/745 OF THE EUROPEAN PARLIAMENT AND OF THE COUNCIL of 5 April 2017 on medical devices, MRD, amending Directive 2001/83/EC, Regulation (EC) No 178/2002 and Regulation (EC) No 1223/2009 and repealing Council Directive 90/385/EEC.
----------------------	---

The following harmonized standards and technical specifications have been applied:

HARMONIZED LEGISLATION	<b>HIRU:</b> EN 55032: 2015 / AC: 2016 / A11: 2020 EN 55035: 2017 UNE-EN 62471-1:2009 FCC CFR 47, Part 15, Subpart B (10-1-15 Edition) ICES-003 Issue 6: 2016 <b>OSKOL Windows:</b> ISO 10993-5 ISO 10993-10
TEST CERTIFICATES	65321IEM.001 65321REM.001 65321REM.002 2251989-PHO-21-018A

This declaration is signed on behalf of Irisbond Crowdbonding, Ltd in San Sebastián, on the 30th of April, 2021, by Eduardo Jauregui, CEO.




## Declaration of conformity (MDR)

We, Irisbond Crowdbonding Ltd, declare that the product listed below has been designed and manufactured in conformity with the Directive (UE) 2017/745:

MANUFACTURER	IRISBOND CROWDBONDING, SL ES-B75091058 AVENIDA DE TOLOSA, 75 - 2º San Sebastián, 20018 Guipúzcoa, Spain +34 9434 96 622 <a href="http://www.irisbond.com">http://www.irisbond.com</a>
REFERENCE	OSKOL iPad
PRODUCT	This product is composed by the following elements: <ul style="list-style-type: none"> <li>• Eye tracking system HIRU, medical device class I.</li> <li>• Case to bundle the Irisbond HIRU eye tracker and the iPad Pro tablet (TPU material has PASSED skin sensitization and cytotoxicity tests in accordance with ISO 10993-5 and 10993-10)</li> </ul>

The aim of this declaration is a Class I Medical Device and is in conformity with the following harmonised legislation:

APPLICABLE DIRECTIVE	REGULATION (EU) 2017/745 OF THE EUROPEAN PARLIAMENT AND OF THE COUNCIL of 5 April 2017 concerning medical devices, MDR, amending Directive 2001/83/EC, Regulation (EC) No 178/2002 and Regulation (EC) No 1223/2009 and repealing Council Directive 90/385/EEC.
----------------------	---

The following harmonized and/or unharmonized standards and technical specifications have been applied:

HARMONIZED LEGISLATION	HIRU: EN 55032: 2015 / AC: 2016 / A11: 2020 EN 55035: 2017 UNE-EN 62471-1:2009 FCC CFR 47, Part 15, Subpart B (10-1-15 Edition) ICES-003 Issue 6: 2016 OSKOL iPad: ISO 10993-5 ISO 10993-10
TEST CERTIFICATES	65321IEM.001 65321REM.001 65321REM.002 2251989-PHO-21-018A

This declaration is signed on behalf of Irisbond Crowdbonding, Ltd in San Sebastián, on the 30th of April, 2021, by Eduardo Jauregui, CEO.




## Technical Specifications

Optimum screen size	10-20"
Recommended working distance	35-80 cm.
Calibration	0, 1, 5, 9, 16 points
Selection mode	Dwell, Blink, Switch
Head box	20 x 18 cm. at 50 cm.
Eye tracking	Monocular and binocular
Accuracy	0.4°
Sampling rate (Frequency)	60 Hz.
Mounting	Holder, magnets, or specific adaptor for consumer device
Operating system	Windows: 7-10 iPadOS: 13 or above Others: Please get in touch with us
Eye Tracking processing	Hiru on-chip eye tracking technology
Minimum system requirements (laptop, PC, tablet)	<p>Eye-tracking processing done at HIRU itself. System requirements related to the applications used with HIRU. Typically:</p> <ul style="list-style-type: none"> <li>• USB 3.0 -C</li> <li>• 1,33 GHz CPU</li> <li>• 2 GB RAM</li> <li>• 3GB + HDD Hard Disk</li> <li>• Intel Graphics, Nvidia and others with OpenGL 2.0</li> <li>• iOS: iPad Pro</li> </ul>
Weight	115 g.
Dimensions	259 x 25 x 28 mm.
Eye tracking technology	Dark pupil
USB connector	USB-C

